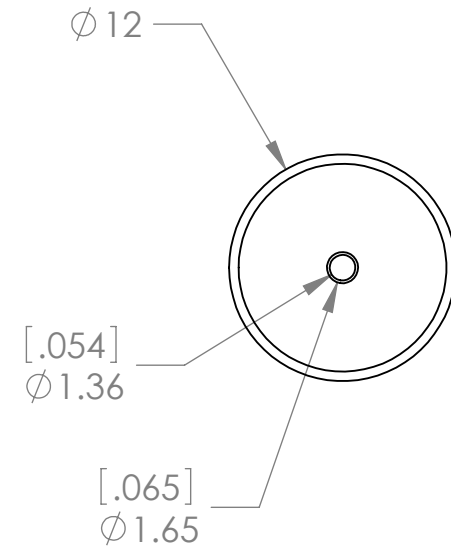


Internal Volume: 275 μ L



Biorep Technologies, Inc.
MIAMI, FLORIDA

Description:
Perifusion Chamber

Units:
Millimeters [Inches]

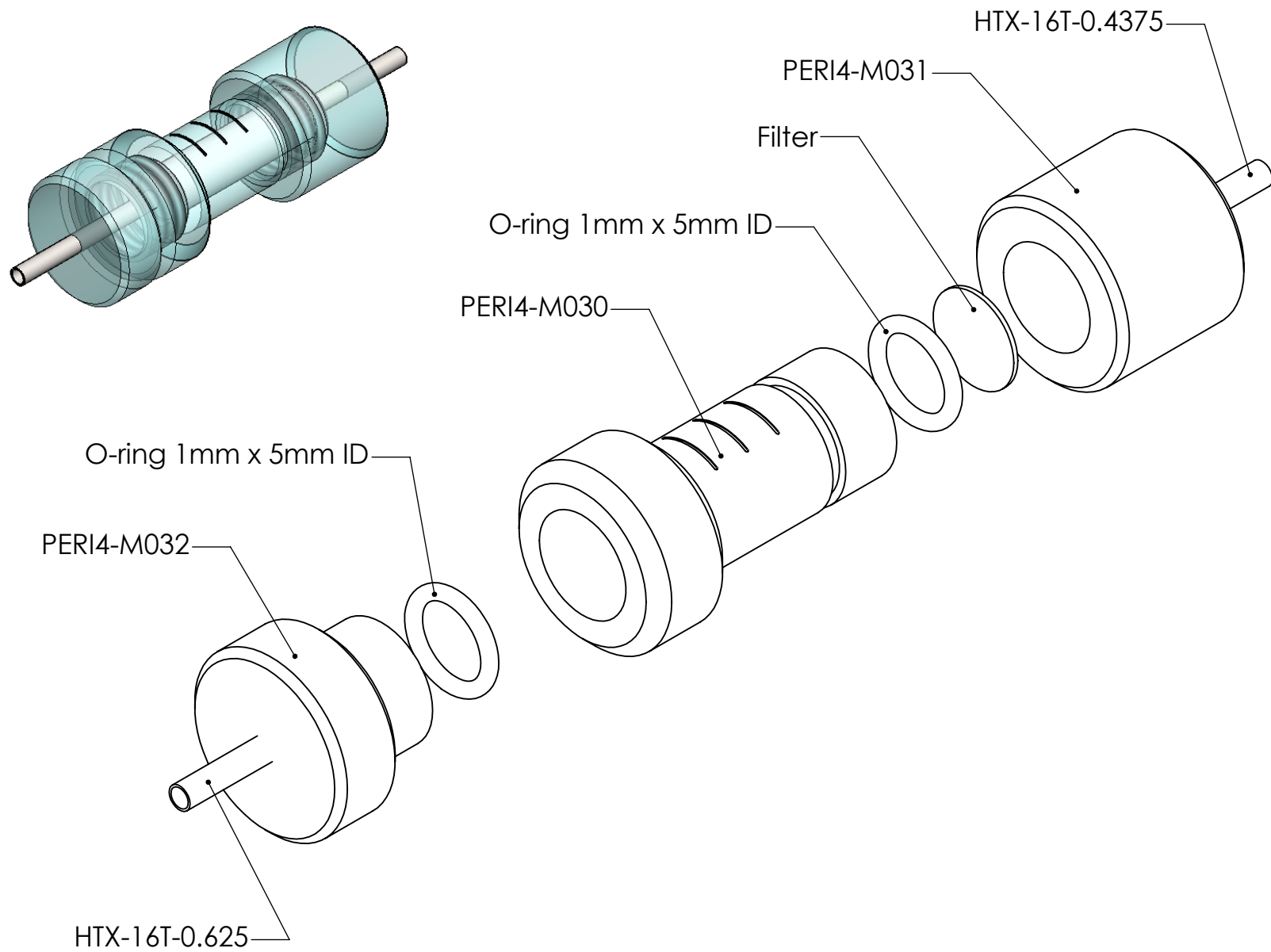
Part #:
PERI-CHAMBER

Weight:
3.1 g

Sheet Number:
1 of 2

Scale:
2.5:1

Revision Date:
10/5/2010 by: felipe



Biorep Technologies, Inc.
 MIAMI, FLORIDA

Description:
 Perifusion Chamber

Units: Millimeters [Inches]

Part #:
 PERI-CHAMBER

Weight: 3.1 g

Sheet Number:
 2 of 2

Revision Date:
 10/5/2010 by: felipe