

Biorep Technologies, Inc.
MIAMI, FLORIDA

Description:
Organ Transportation Container

Units:
Centimeters [Inches]

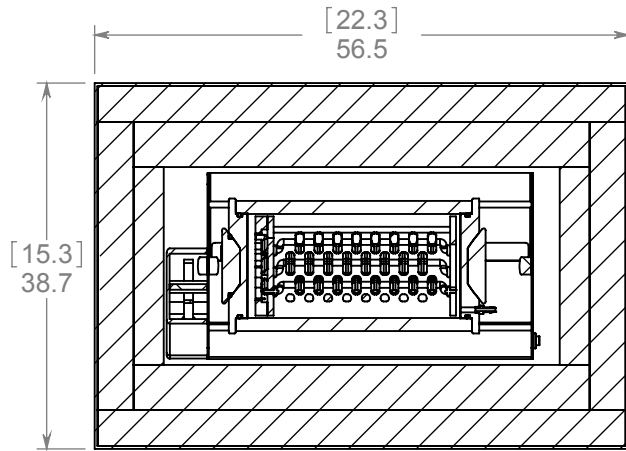
Part #:
OTR-01

Weight:
2.5 kg

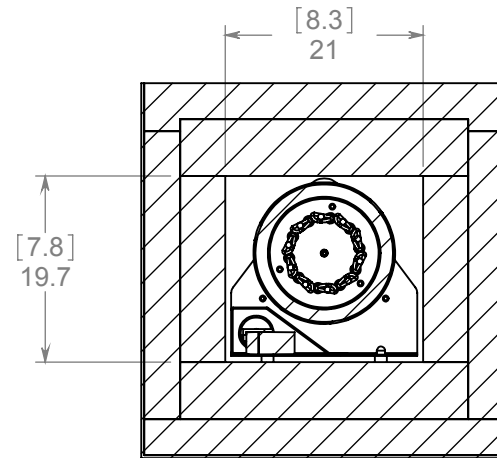
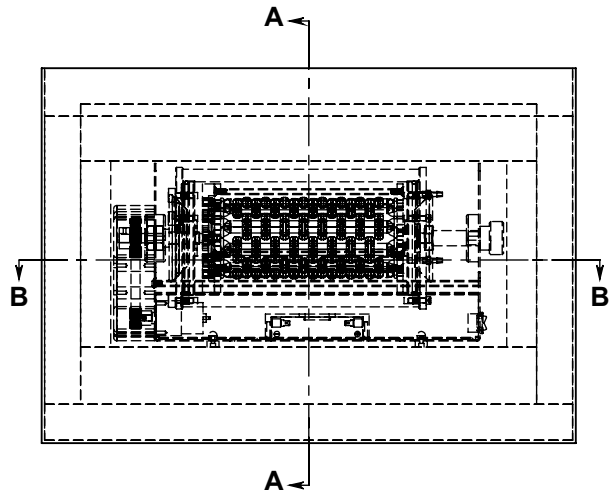
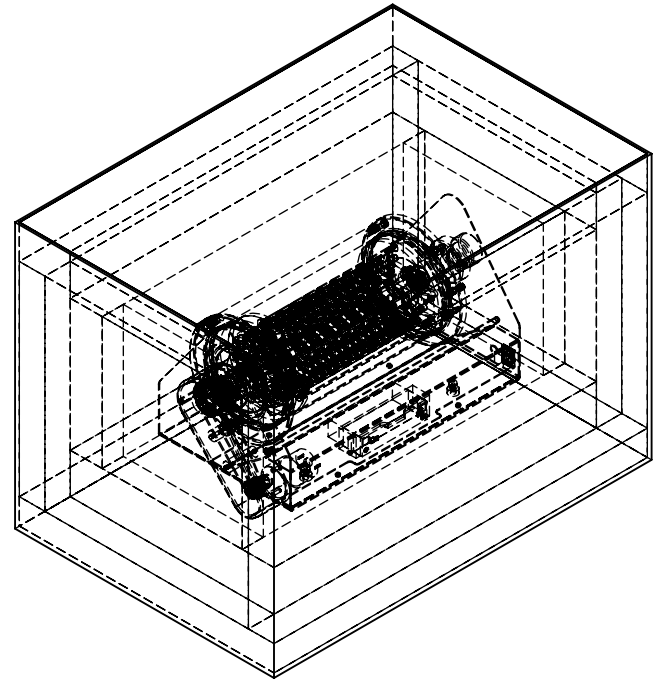
Scale:
1:4

Sheet Number:
1 of 2

Revision Date:
7/26/2010 by: felipe



SECTION B-B



SECTION A-A

Biorep Technologies, Inc.
MIAMI, FLORIDA

Description:
Organ Shipping Container Assembly
Units: Centimeters [Inches]

Part #: OTR-01
Weight:

Scale:
1:8

Sheet Number:
2 of 2
Revision Date:
7/26/2010 by: felipe