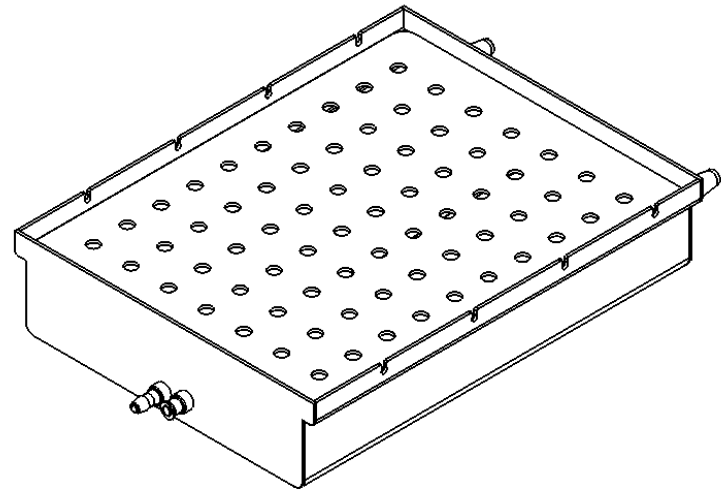
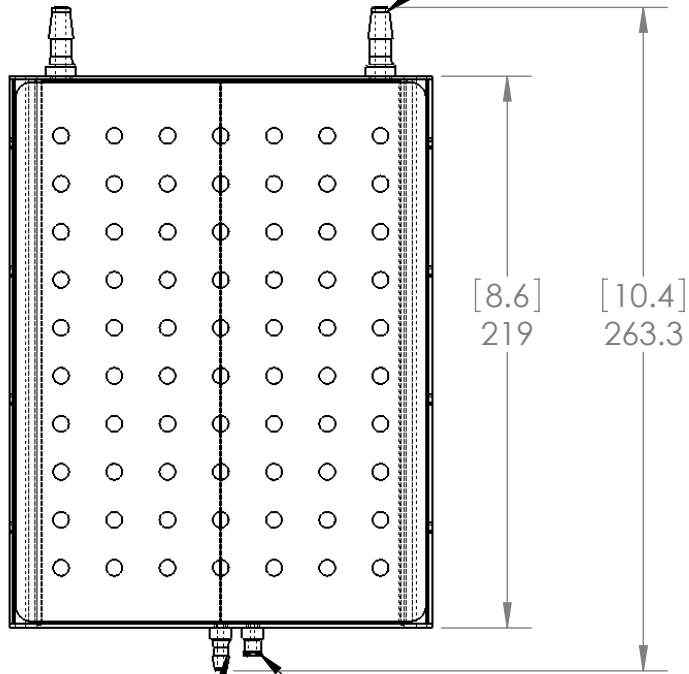
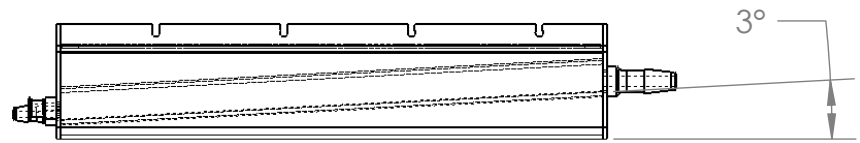
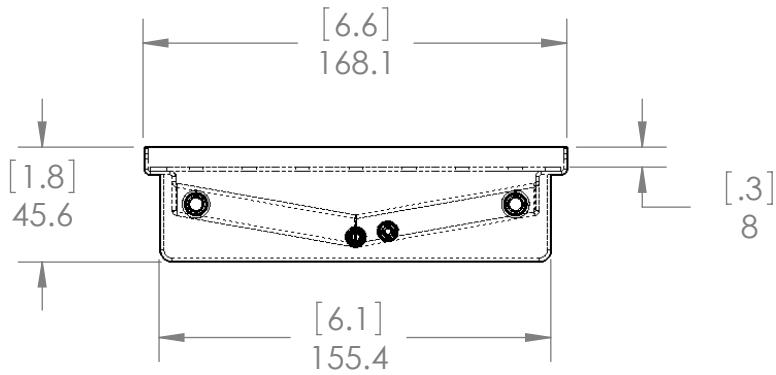


Fitting for 6 mm ID tubing



Fitting for 3 mm ID tubing

Female luer



Biorep Technologies, Inc.
MIAMI, FLORIDA

Description:
Perfusion Tray

Units:
Millimeters [Inches]

Part #:
PERTRAY-SS-01

Weight:
1586 g

Sheet Number:
1 of 1

Revision Date:
6/14/2010 by: ana

Scale:
1:3